

Cryogenic Pressure Builder RG Series

Application

RG series cryogenic regulators are primarily designed to maintain pressure on cryogenic liquid within cryogenic containers. They may also be used in cryogenic lines, vaporizer and converter applications. They are especially useful in installations where space and cost limitations are important.

Features

- All parts are copper alloy (brass), PTFE and stainless steel—materials selected specifically for compatibility with cryogenic temperatures down to -320°F (-196° C)
- PTFE seat helps assure a positive shut-off at cryogenic temperatures down to -320°F (-196° C)
- High and low pressure regulators are the same compact size—designed to fit in close quarters
- Interchangeable with existing cryogenic regulator units
- Inlet filter helps prevent foreign material from entering the regulator
- Locknut is provided to maintain adjusting screw setting
- RG090AG is available with T handle adjustment screw and gauge ports
- Maximum inlet pressure of 550 psig (37.9 barg)
- Cleaned for oxygen service per CGA G-4.1
- 100% Factory Tested

Materials

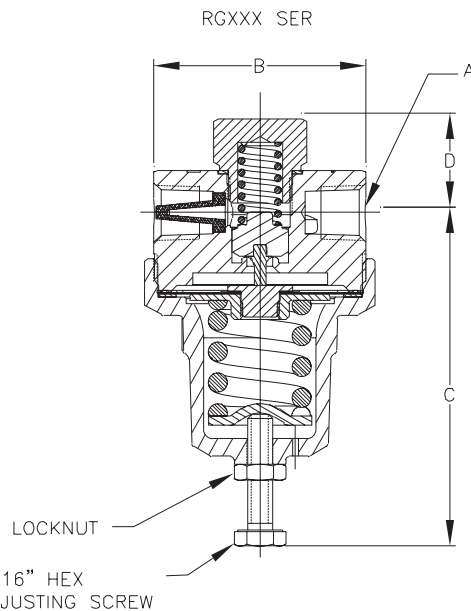
Body	Brass
Bonnet	Brass
Seat	PTFE
Springs	Stainless Steel
Diaphragm Gasket.....	PTFE
Backcap Gasket	Copper
Diaphragm.....	Bronze



RG Series



RGXXXAG with gauge port & T handle



Ordering Information

Part Number	Inlet / Outlet Connections (F.NPT) A Inches (mm)	Width B Inches (mm)	C Inches (mm)	D Inches (mm)	Operating Range (psig)
RG022A	¼" (6.35)	2 ¹ / ₁₆ " (52.32)	3" (76.20)	1" (25.40)	0-30 psig (0-2.1 barg)
RG125A					25-250 psig (1.7-17.2 barg)
RG125C3	¾" (9.52)	2 ¹ / ₈ " (53.97)	3.33" (84.58)	0.80" (20.32)	125-350 psig (17.2-24.2 barg)
RG175C3					25-250 psig (1.7-17.2 barg)
RG300A	¼" (6.35)	2 ¹ / ₁₆ " (52.32)	3" (76.20)	1" (25.40)	125-350 psig (17.2-24.2 barg)
RG90AG					25-250 psig (1.7-17.2 barg)

*Contact sales representative for additional settings.