

Excess Flow Valves for Liquid or Vapor Withdrawal 2723C and A8013D Series

Application

These valves are designed for bottom mounting in consumer storage tanks for liquid service. They may also be top mounted for vapor service. These valves are designed especially for use with RegO globe and angle valves.

Features

- 2723C provides a 3/4" dip pipe inlet connection for top-mounted liquid or bottom-mounted vapor requirements.
- A8013D Series features a 2-position floating valve disc for faster, more efficient container filing.
- Precision machined.
- Stainless steel spring provides consistent closing flow and long service life.
- Generous flow channels provide low pressure drop.

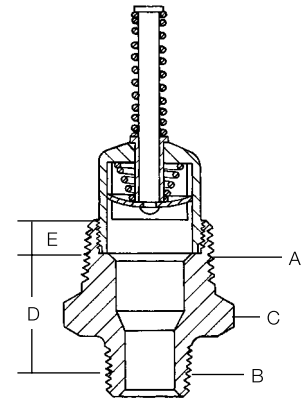
Materials

A8013D Series

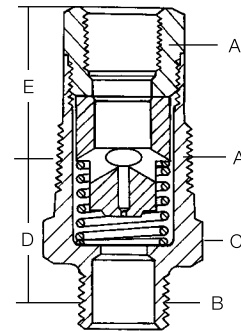
Body Cadmium Plated Steel
 Disc..... Stainless Steel
 Stem Stainless Steel
 Spring Stainless Steel
 Guide..... Cadmium Plated Steel
 Insert..... Stainless Steel

2723C

Body Brass
 Valve Poppet Brass
 Retainer..... Brass
 Spring Stainless Steel

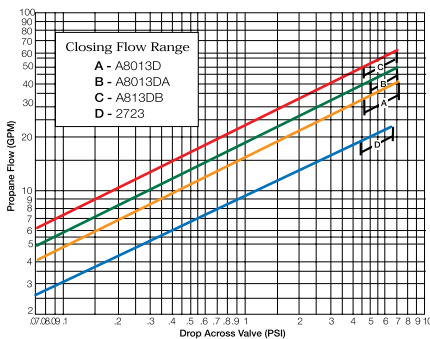


A8013D

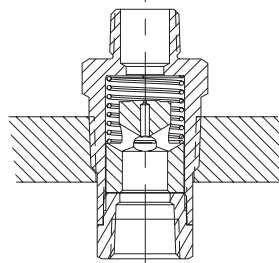


2723C

Performance

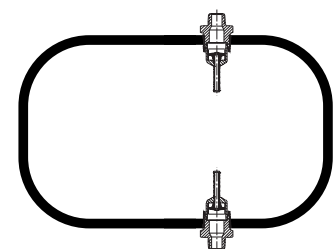


Typical Installation



2723C

Container Service



A8013D

Ordering Information

Part Number	A. Inlet Connection M. NPT	B. Outlet Connection NPT	C. Wrench Hex Flats	D. Effective Length (Approx.)	E. Threaded End To Port	Approximate Closing Flow**		
						Liquid (GPM Propane)	Vapor SCFH (Propane)	
							25 PSIG Inlet	100 PSIG Inlet
A8013D	1 1/4"	3/4"	1 3/4"	1 1/2"	-	39	8,700	14,700
A8013DA		1"		1 3/8"				
A8013DB		1 1/4"		1 7/8"				
2723C	1 1/4"	3/4"	1 1/16"	1 5/8"	1 15/16"	20	3,900	6,900

* 3/4" F. NPT Dip Pipe Connection

** Based on horizontal installation of excess flow valve. Flows are slightly more when valves are installed with outlet up; slightly less when installed with outlet down.

NOTE: Multiply flow rate by .94 to determine liquid butane flow and by .90 to determine liquid anhydrous ammonia flow.