

RegO® - Relief Device Diverter (3-Way) Valve DR6100 Series

Application

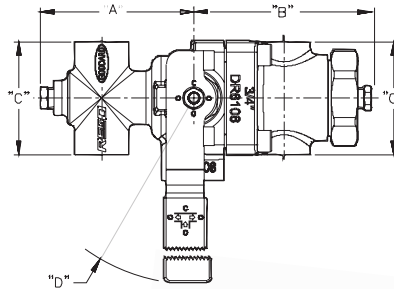
The DR Diverter Valve Series provides a simple solution for the isolation of pressure relief devices during routine change out of a relief valve and burst discs without evacuating the vessel. Excellent for protecting bulk liquid vessels, transport trailers, industrial pipelines, and LNG systems.

Features

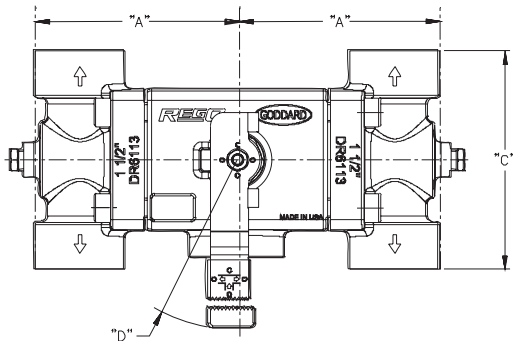
- High flow rates complement our AR series pressure relief valves.
- Valve side selection is accomplished with a heavy duty control arm clearly labeled for positive isolation
- RegO® needle valves accessorize for easy bleed of gas before removing pressure relief devices
- Fitted with threaded top Relief Valve ports and bottom Burst Disk connections
- Pressure Rating: 600 psig (41.37 barg) MAWP
- Temperature Rating: -320°F (-196°C) to +165°F (+74°C).
- 100% Factory tested
- Oxygen cleaned per CGA G-4.1
- PED Certified
- **Stainless Steel inlet stub available, add the letter P in the end of the part number to request this option.**

Materials

Bodies..... Bronze ASTM B61 UNS C92200
 Bushing, End Cap..... Brass B16 C36000
 Seat Rings..... PCTFE ASTM D1430
 Gasket PTFE
 Ball..... 316 Stainless Steel
 Lever..... Cadmium Plated Steel
 Packing..... PTFE
 Stem Stainless Steel ASTM A582 UNS S30300



DR6108



DR6112 & DR6113

Ordering Information

Part Number	Inlet Inches (DN)	Outlet Inches (DN)	Connection Type	A Inches (mm)	B Inches (mm)	C Inches (mm)	D Inches (mm)	Height Inches (mm)	Weight Lbs (Kg)	Open Port	C _v (K _v)
DR6108	1" (25)	¾" (20)	Thread NPT	4" (101.7)	4.65" (118.3)	2.94" (74.90)	R 7.36" (187.1)	5.18" (63.25)	10 (4.50)	Right	13.3 (11.50)
										Left	
										Both	
DR6112	1½" (40)	1" (25)	Thread NPT	4.12" (104.6)	-	5.70 (145.0)	R 7.36" (187.1)	5.770" (146.6)	28 (12.70)	Right	18.8 (16.26)
										Left	
										Both	
DR6113	1½" (40)	1½" (40)	Thread NPT	4.12" (104.6)	-	5.70 (145.0)	R 7.36" (187.1)	5.770" (146.6)	30 (13.60)	Right	22.6 (19.54)
										Left	
										Both	