

# ES8450 and TES8450 Series Extended Stem Valves BK9450 and BK9470 Series Extended Bonnet Valves

## Application

For use as a trycock valve or hose drain valve on cryogenic tanks, or use as a liquid fill or vent valve on mini-bulk cryogenic tanks. These valves can be used also for other cold gas applications requiring extended stem valves as LNG fueling.

## Features

- Union bonnet
- One piece stainless steel stem
- Conical seat design
- Maximum working pressure is 600 psig (42 barg)
- Working temperature is -320°F to +165°F. (-196°C to 74°C)
- Cleaned for Oxygen service per CGA G-4.1
- 100% Factory Tested

### TES8450 Series specific feature:

- Grafoil® packing
- Approved by PED and TPED

### ES8450 Series specific feature:

- Manual torque compression packing

### BK9450 and BK9470 Series specific feature:

- Extended bonnet and spring-loaded packing

### BK9470 Series specific feature:

- 304 St. Stl Tube brazed into both ends

## Materials

Body and Bonnet.....	Brass
Stem .....	Stainless Steel
Seat Disc.....	PCTFE
Handwheel.....	Aluminum
Bonnet Gasket.....	PTFE
Packing.....	PTFE
Packing (TES.....)	Grafoil

## Conversion Kit

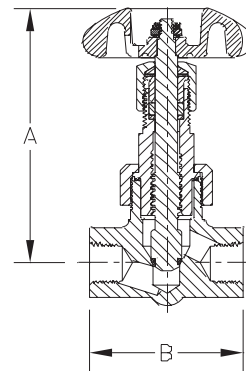
BK 9450-KIT is a bonnet and stem assembly kit to convert ES 8450 series and previous ES 9450 Series to the BK 9450 style.

## Ordering Information

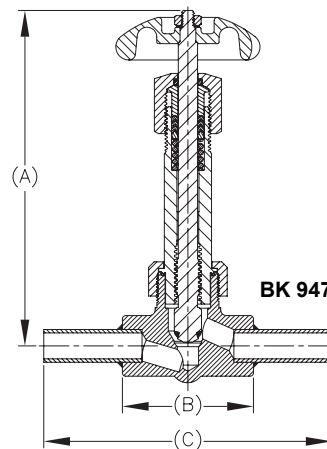
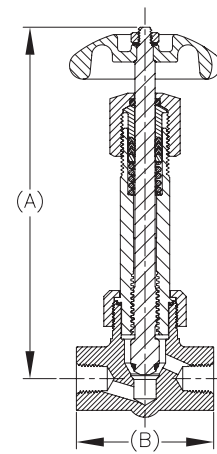
Part Number	Inlet/Outlet Connections	Height "A"	Body Width "B"	Width with Tube "C"	Cv			
ES8452	¼" FNPT	4.2"	2.5"	NA	0.70			
TES8452								
ES8453	⅜" FNPT							
TES8453								
ES8454	½" FNPT				6.5"	2.5"	NA	1.10
TES8454								
BK9452	¼" FNPT							
BK9453	⅜" FNPT							
BK9454	½" FNPT							
BK9453FA	⅝" OD tubing x ⅜" FNPT	4.0"	1.10					
BK9475A	⅝" OD tubing both ends			5.5"				



ES 8450 Series



BK 9450 Series



BK 9470 Series

