

Low Pressure Regulators LV4286-10 Series & LV4289-10 Series

Application

The LV4286 and LV4289 series Inertrol third-stage low pressure regulators are designed especially for secondary regulation of gaseous nitrogen on electrical transformer systems.

Factory preset at 14" to 15" water column delivery pressure with an inlet pressure of 5 to 10 psig.

Features

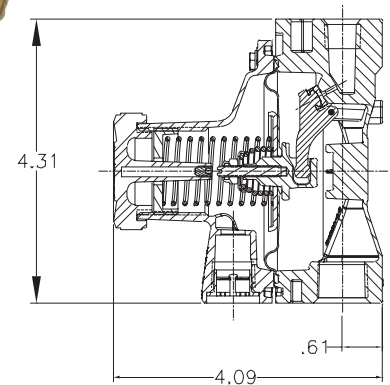
- Large diaphragm allows for highly sensitive and accurate low pressure control
- Incorporates integral relief valves (except on LV4289-10)
- Zinc body and bonnet resist corrosion and provide longer life
- Adjusting screw is concealed by a cap to help prevent against tampering by unauthorized personnel
- Operating temperature range is -40°F to +160°F (-40°C to +71°C)

Materials

Body Zinc
 Bonnet Zinc
 Diaphragm Buna N
 Seat Disc Buna N
 Spring Steel



LV4286-10-8



Ordering Information

Part Number	Inlet (NPT)	Outlet (NPT)	Delivery Pressure Setting	Relief Valve Setting
LV4286-10-5	1/4"	1/2"	14"-15" w. c.	5 psig (.34 barg)
LV4286-10-8				8 psig (.55 barg)
LV4289-10				None

Alarm Gauges 4285-9B

Application

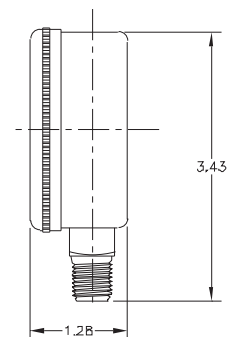
The 4285-9B inertrol alarm gauges are designed to alert the user when pressure has fluctuated ± 90 psig (6.2 barg) from the 300 psig (20 barg) factory setting. Under these conditions, electrical contacts in the switch will close and set off a user-furnished alarm system.

Features

- Solid brass gauge casing resists corrosion and provides for longer life
- Equipped with a heavy-duty, 36" long, 3-wire electrical cable
- Each gauge is factory pre-set at 300 psig (20 barg), then sealed to help prevent against tampering once in service
- Electrical circuit is rated for a maximum of 3 AMPS at 460 volts AC



4285-9B



Materials

Gauge Case Brass

Ordering Information

Part Number	Inlet M.NPT	Diameter		Pressure Range psig	Adjustable	Alarm Furnished
		Inches	mm			
4285-9B	1/4"	2 1/2"	63.5	0 - 4000 (0 - 275 barg)	No	None