

# Cryogenic Gas Relief Valves, ASME C-19434B Series

## Application

The C-19434B series relief valves are designed for use in carbon dioxide service.

## Features

- The C-19434B design permits the valve to open slightly to relieve moderately excessive pressure
- When the pressure increases beyond a predetermined point, the valve opens to its full discharge capacity in order to quickly reduce excess pressure
- Pipe-away adapter for venting gas to the outdoors is available
- ASME rated, certified
- Cleaned for use in oxygen service per CGA G-4.1
- Bubble tight at 95% of set pressure
- Full flow at 110% of set pressure
- Setpoint tolerance is  $\pm 3\%$  of the set pressure or  $\pm 2$  psig whichever is greater
- Repeatable performance guaranteed by well-proven seat design used in many other RegO relief valves for many years.
- Rated for gas service only
- 100% factory tested
- Temperature range:  $-40^{\circ}$  to  $165^{\circ}$  F ( $-40^{\circ}$  -  $74^{\circ}$  C)

## Materials

Body .....	Brass
Spring .....	Stainless Steel
Seat Retainer.....	Brass
Seat Disc C-19434B Series.....	EPDM Synthetic Rubber
Pipe-Away Adapter .....	Brass

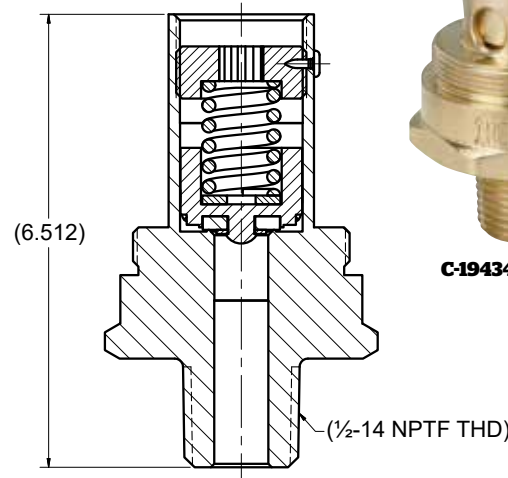
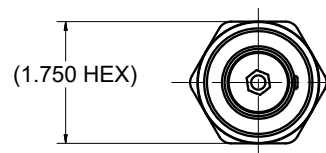
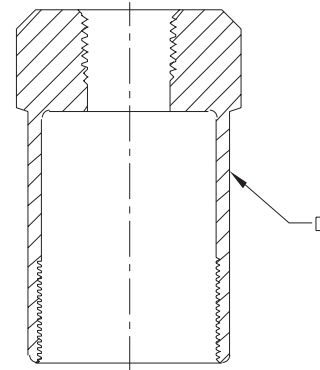
**WARNING:** Inspection and maintenance of pressure relief valves is very important. Failure to properly inspect and maintain pressure relief valves could result in personal injuries or property damage. The useful safe service life of a pressure relief valve may be significantly affected by the service environment.

## Ordering Information

Part Number	Pressure Setting (psig)	ASME Relief Capacity (CFM/Air)	Height A Inches (mm)	Width B Inches (mm)	Inlet Connection (M.NPT) C Inches (mm)	Pipe-Away Adapter Part Number D
C-19434B235	235 psig (16.2 barg)	476	2 <sup>15</sup> / <sub>16</sub> " (74.67)	1 <sup>3</sup> / <sub>4</sub> " (44.45)	1/2" (12.7)	*B-19484-6 1" F.NPT Outlet (25.40 mm)
C-19434B250	250 psig (17.2 barg)	505				
C-19434B280	280 psig (19.3 barg)	555				
C-19434B285	285 psig (19.6 barg)	579				
C-19434B300	300 psig (20.7 barg)	601				
C-19434B325	325 psig (22.4 barg)	649				
C-19434B335	335 psig (23.1 barg)	668				
C-19434B350	350 psig (24.1 barg)	711				
C-19434B375	375 psig (25.9 barg)	760				

\* Pipe Away Adapter is sold separately.

\*\* Contact factory for additional settings.



C-19434B Series