

# New Compact Twin Stage Regulators for LP-Gas LV404B34 & LV404B39 Series

## Application

The compact twin-stage regulator is designed to reduce container pressure down to 11" w.c. delivery pressure. It is ideal for "on site" container applications such as homes, mobile homes and cottages for average domestic service; including small ASME tanks and 100-420 pound DOT cylinders.

## Features

- Large vent helps prevent vent blockage, the second stage regulator bonnet is tapped for 3/8" F.NPT for vent piping, the high pressure regulator is tapped with 1/8" F.NPT for vent piping.
- With 15 PSIG inlet pressure, the regulator is designed to not pass more than 2 PSIG downstream with the seat disc removed.
- Incorporates an integral relief valve on second stage.
- Unique bonnet vent profile minimizes vent freeze over when properly installed.
- Compact design saves space allows for easy installation – especially under container hoods with collars.
- Built in pressure taps 1/8" F.NPT on both high pressure regulator inlet and downstream side of the second stage regulator.
- Plugs can be removed with a 3/16" hex Allen wrench.
- Select brown finish.

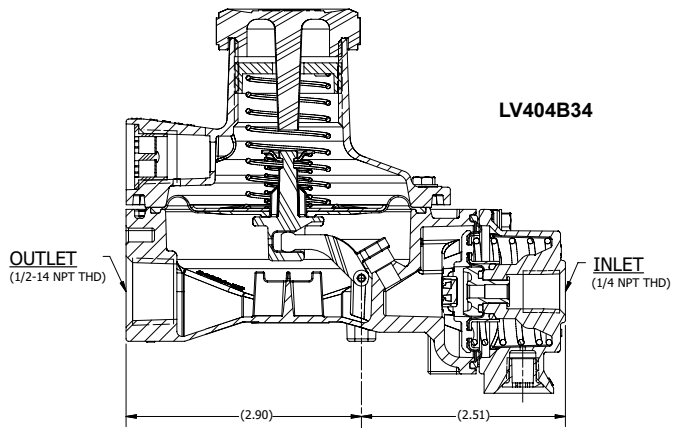
## Materials

Body First Stage (LV404B39) ..... Brass  
 Body First Stage (LV404B34) ..... Die Cast Zinc  
 Bonnet Second Stage ..... Die Cast Zinc  
 Diaphragms ..... Integrated Fabric and Synthetic Rubber  
 Springs ..... Steel and Stainless Steel  
 Valve Discs ..... Resilient Synthetic Rubber

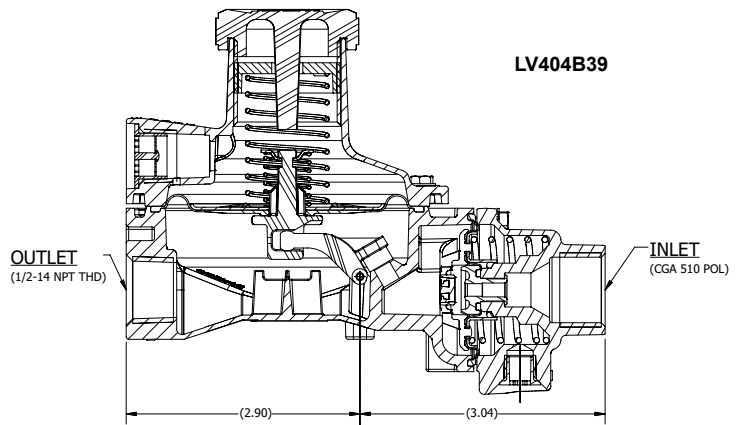


LV404B39

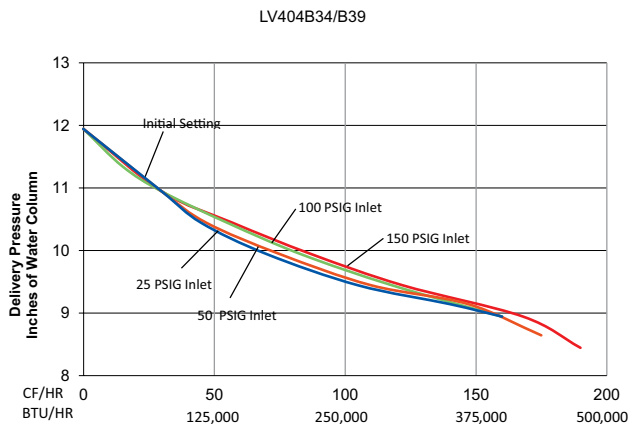
LV404B34



LV404B34



LV404B39



## Ordering Information

Part Number	Inlet Connection	Outlet Connection	Orifice Size	Factory Delivery Pressure	Adjustment Range 2nd Stage	Bonnet Vent Position 1st stage **	Bonnet Vent Position 2nd stage**	Vapor Capacity BTU/hr *
LV404B34	1/4" F.NPT	1/2" F.NPT	7/32"	11" w.c. @ 100 Psig Inlet	9" to 13"w.c.	Rear	Outlet	450,000
LV404B39	F.POL					Left	9:00	
LV404B34V9	1/4" F.NPT							
LV404B39V9	F.POL							

\* Maximum flow based on 10 PSIG Inlet 9" w.c. delivery pressure

\*\* Other vent positions available upon request