

New - Dielectric Second Stage Regulators

LV4403BD Series

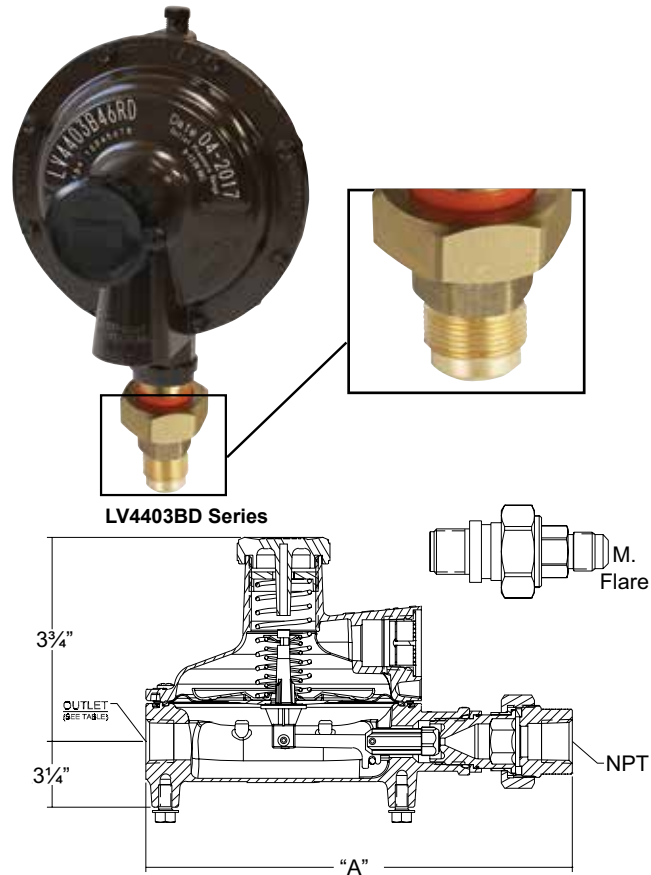
Application

RegO's Dielectric second stage regulators are designed to reduce first stage pressure normally 10PSIG down to burner pressure, normally 11" w.c. and are ideal for medium commercial installations, multiple cylinders installations and normal domestic loads.

RegO Dielectric second stage regulators are engineered to isolate potential electrical current from metallic piping before entering a building. The use of a separate dielectric union is not necessary because the regulator contains a dielectric union as part of the inlet assembly. Available in both SAE Flare and F.NPT inlet connection.

Features

- F. NPT Dielectric Union is made of Brass with inlet Portion Made of Plated Steel
- M. SAE Flare inlet connection made of solid Brass
- All second stage features are the same as LV4403B Series



Ordering Information

Part Number	Inlet Connection	Outlet Connection	Inlet Material	Orifice Size	Factory Delivery Pressure		Adjustment Range	Bonnet Vent Position	Vapor Capacity BTU/hr Propane
					psig	barg			
3/8" M. Flare = 3									
LV4403B3D	3/8" M Flare	1/2" F. NPT	Brass	# 28 Drill	11" w.c. (27.37 MBars)at 10 psig Inlet	11" w.c. (27.37 MBars)at 0.69 barg Inlet	9" to 13" w.c. (22.4 to 32.35 MBars)	Over Inlet	935,000
LV4403B36D		3/4" F. NPT							
LV4403B3RD*		1/2" F. NPT		3/16"					
LV4403B36RAD**		3/4" F. NPT							
LV4403B36RABD***									1,000,000
1/2" M. Flare = 1									
LV4403B1D	1/2" M Flare	1/2" F. NPT	Brass	# 28 Drill	11" w.c. (27.37 MBars)at 10 psig Inlet	11" w.c. (27.37 MBars)at 0.69 barg Inlet	9" to 13" w.c. (22.4 to 32.35 MBars)	Over Inlet	935,000
LV4403B16D		3/4" F. NPT							
LV4403B16RD*		3/16"							
LV4403B16RAD**									
LV4403B16RABD***									1,000,000
5/8" M. Flare = 5									
LV4403B5D	5/8" M Flare	1/2" F. NPT	Brass	# 28 Drill	11" w.c. (27.37 MBars)at 10 psig Inlet	11" w.c. (27.37 MBars)at 0.69 barg Inlet	9" to 13" w.c. (22.4 to 32.35 MBars)	Over Inlet	935,000
LV4403B56D		3/4" F. NPT							
LV4403B56RD*		3/16"							
LV4403B56RAD**									
LV4403B56RABD***									1,000,000
1/2"-3/4" F. NPT									
LV4403B4D	Female Union	1/2" F.NPT	Brass & Plated Steel	# 28 Drill	11" w.c. (27.37 MBars)at 10 psig Inlet	11" w.c. (27.37 MBars)at 0.69 barg Inlet	9" to 13" w.c. (22.4 to 32.35 MBars)	Over Inlet	935,000
LV4403B46D		1/2" F.NPT							
LV4403B66D		3/4" F. NPT		3/16"					
LV4403B46RD*		1/2" F. NPT							
LV4403B66RD*		3/4" F. NPT							
LV4403B66RAD**		3/4" F. NPT							
LV4403B66RABD***									1,000,000

* Backmount Design.

** Right Angle Design

***Right Angle with Bracket

Maximum flow based on 10 PSIG inlet and 9" w.c. delivery pressure.